

ESPSC

Monocrystalline Solar Module



High-quality

With 60 cells and 3 bypass diodes in power classes from 225 to 255 Wp for grid connected systems.



Reliable

The high quality level of ERA SOLAR guarantees long life-time and high earnings.



Solid

An Aluminium hollow-chamber frame on each side combined with low-iron and tempered solar glass ensures high load capacity resistance.



Performance guarantee

ERA SOLAR grants a power guarantee of 90% of nominal power output up to 12 years and 80% up to 30 years.



WATTS
POSITIVE
TOLERANCE



YEARS
PRODUCT
WARRANTY



YEARS
PERFORMANCE
GUARANTEE 90%



YEARS
PERFORMANCE
GUARANTEE 80%

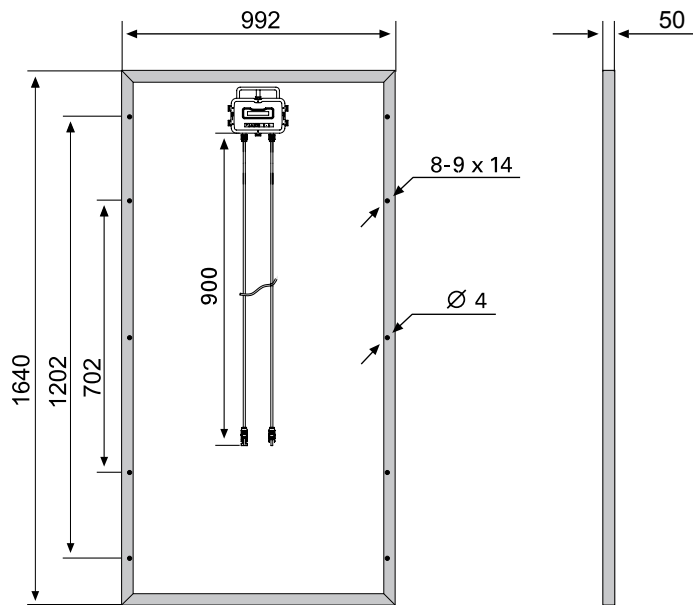


ESPSC

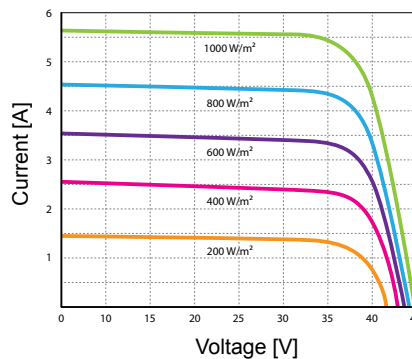
Monocrystalline Solar Module

SPECIFICATIONS

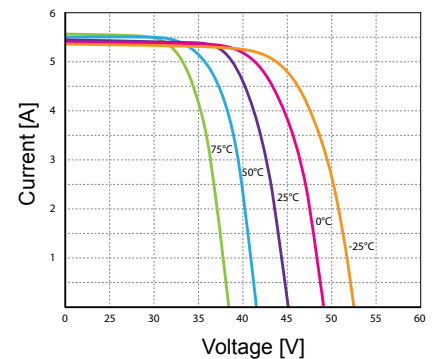
Dimensions	1640 x 992 x 50 mm
Weight	20.5 kg
Frame	Aluminium hollow-chamber frame on each side
Glass	Low-iron and tempered glass 3.2 mm
Cells	60 pcs monocrystalline Si-cells (156 x 156 mm)
Cell Embedding	EVA
Back-Foil	TPT / TPE / BBF
Junction Box	TÜV certified
Cable	4 mm ² solar cable 2 x 900 mm
Temperature Range	-40°C ... +85°C
Load Capacity	5400 Pa (IEC 61215)
Power Guarantee	12 years 90% 30 years 80%
Pallet Size	1.69 x 1.04 x 1.2 m
Units	23 Stk. / pallet
Weight	472 Kg / pallet



CURRENT-VOLTAGE CURVES



Module characteristics at constant module temperatures (25°C) and different levels of irradiance.



Module characteristics at different module temperatures and constant module irradiance (1.000 W/m²).

CHARACTERISTICS

Max. System Voltage	1000V/DC
Temperature-Coefficient I_{SC}	+0.07%/°C
Temperature-Coefficient U_{OC}	-0.36%/°C
Temperature-Coefficient P_{mpp}	-0.43%/°C
NOCT***	45°C

ESPSC TYPE	225	230	235	240	245	250	255
Power Class	225W	230W	235W	240W	245W	250W	255W
Max. Power Voltage (U_{mpp})* at STC**	29.8V	30.1V	30.3V	30.5V	30.75V	30.95V	31.15V
Max. Power Current (I_{mpp}) at STC	7.55A	7.65A	7.75A	7.86A	7.97A	8.08A	8.19A
Open Circuit Voltage (U_{OC}) at STC	35.5V	35.8V	36V	36.2V	36.4V	36.6V	36.8V
Short Circuit Current (I_{SC}) at STC	8.15A	8.25A	8.37A	8.48A	8.59A	8.7A	8.81A
Module Efficiency	13.8%	14.1%	14.4%	14.8%	15.1%	15.4%	15.7%

* MPP: Maximum Power Point

** STC (Standard Test Conditions): 1000W/m², 25°C, AM 1.5

*** Normal Operating Cell Temperature

CERTIFICATES

IEC 61215 edition 2 (TÜV Rheinland)
IEC 61730 UL CSA MCS

